

Service Bulletin

Subject:

Installation of 8.00 x 6 Nose Wheel

Applicability:

All GA8 serial numbers

Amendments:

Nil – initial issue

Background:

A larger nose wheel assembly has been developed in response to customer requests. Installation of the 8.00 x 6 nose wheel assembly is detailed in this service bulletin.

Compliance:

This modification may be installed at the owner's discretion.

Weight and Balance:

Installation of the 8.00 x 6 nose wheel assembly results in the following weight and balance increase relative to the 6.00 x 6 nose wheel:

1.955kg (4.31lbs) at an arm of 355mm (13.97in) fwd of datum.

Approval:

The technical aspects of this Service Bulletin have been approved under a CASA Authorisation.

Parts:

Refer to Figure 3

Item	Part Number	Description	Qty
Ref.	GA8-322013-11	8.00 x 6 Nose Wheel Assembly	1
1	GA8-322023-21	Nose Wheel Fork	1
2	GA8-322023-35	Axle Tube	1
3	GA8-322023-37	Axle Bolt	1
4	GA8-322023-41	Axle Spacer	2
5	GA8-322023-43	Nose Wheel Axle Plug	2
6	40-76A	Wheel Rim Assembly 6.00 x 6	1
7	8.00 x 6 x 6 Pr.	Tyre – tube type	1
8	8.00 x 6 TR20	Butyl tube	1
9	AN960-516	Washer	2
10	MS21042-5	Reduced Hex Nut	2

Parts Availability:

Parts can be obtained directly from Gippsland Aeronautics.

Tel.: +61 03 5172 1208

Fax.: +61 03 5172 1237

Email: spares@gippsaero.com

Labour:

1 hour labour should be allowed for the installation of the 8.00 x 6 Nose Wheel Assembly

Warranty:

Gippsland Aeronautics factory participation is limited to the supply of parts, including freight, at the owner's expense.

Instructions:

The instructions in this service bulletin assume an appropriately licensed technician is performing the work with typical workshop tools.

Figures 2 and 3 will assist in installation of the 8.00 x 6 nose wheel assembly.

CAUTION:

OPERATORS WHO HAVE AIRCRAFT WITH THE SERIAL NUMBERS BETWEEN GA8-00-004 TO GA8-03-025 WILL NEED TO ENSURE THAT THE SHAFT FORK JOINING BLOCK (DEPICTED IN FIGURES 1 AND 2) CONFORMS TO THE DIMENSIONS OUTLINED IN FIGURE 1.

EARLY GA8 AIRCRAFT WERE FITTED WITH A SHORTENED VERSION OF THIS COMPONENT IN ADDITION TO A SPACER. FOR INSTALLATION OF THE 8.00 X 6 NOSE WHEEL, THE NOSE FORK JOINING BLOCK P/N GA8-322021-65 AND SPACER P/N GA8-322021-109 WILL NEED TO BE REMOVED AND REPLACED WITH NOSE FORK JOINING BLOCK P/N GA8-322021-149.

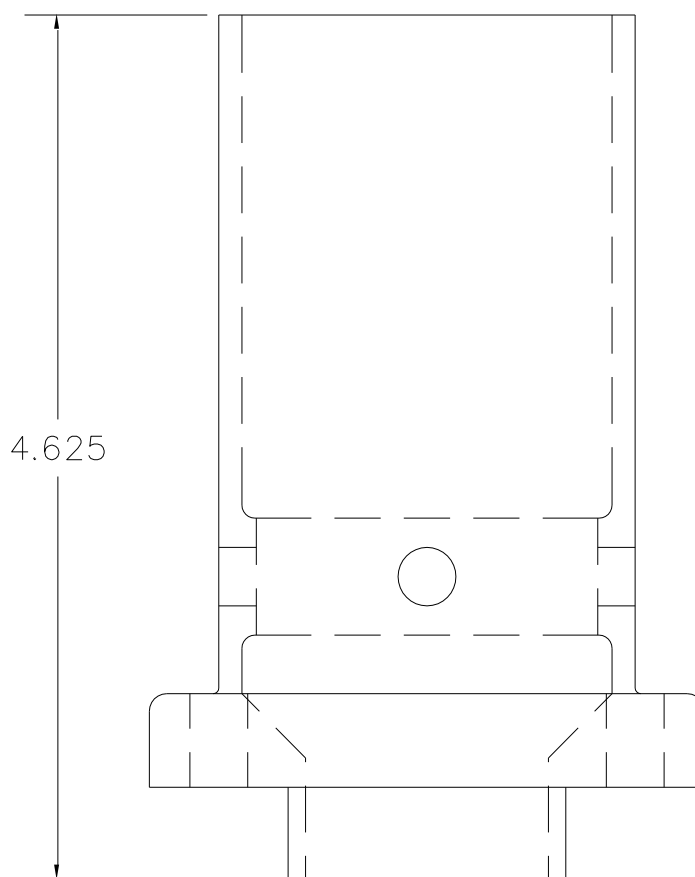


Figure 1: Nose fork joining block

1. Removal of 6.00 x 6 Nose Wheel

- 1.1. Jack up aircraft in accordance with section 7 of the GA8 Service Manual such that the nose wheel is clear of the ground
- 1.2. Remove the 4 bolts attaching the nose fork to the nose gear assembly.
- 1.3. Clean the shaft fork joining block mating surface, bolt holes and spigot of any anti-corrosion compound.

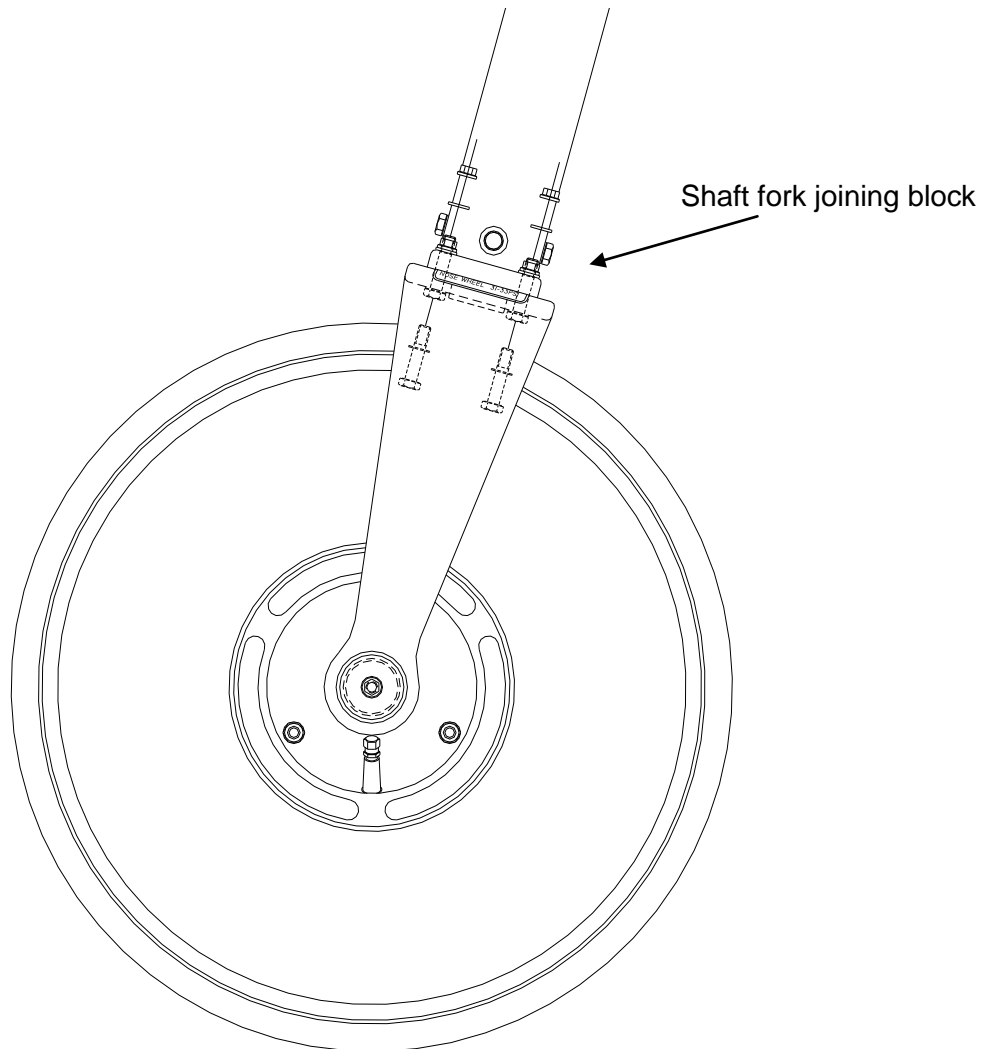


Figure 2: 8.00 x 6 Nose Wheel Assembly

2. Installation of 8.00 x 6 Nose Wheel

- 2.1 Apply an anti-corrosion compound such as Loctite Silver Grade Anti-Seize to the faying surfaces of the attachment hardware of the 8.00 x 6 nose wheel fork P/N GA8-323023-21.
- 2.2 Attach the nose wheel fork to the shaft fork joining block. Torque attaching fasteners in accordance with section 20 of the GA8 Service Manual.
- 2.3 Using Figure 2 as a reference, install the nose wheel, axle tube, axle spacer, nose wheel plugs, and axle bolt. Ensure that the nose wheel is installed with the tyre valve on the port side.
- 2.4 Torque axle bolt fasteners until all side play of the wheel bearing has been removed and a slight bearing drag is obvious when the wheel is rotated. Note: avoid pre-loading the wheel bearings with excessive tension.

- 2.5 Confirm full and free operation of nose wheel and nose wheel steering system.
- 2.6 Release and remove jacks and check nose wheel tyre pressure.

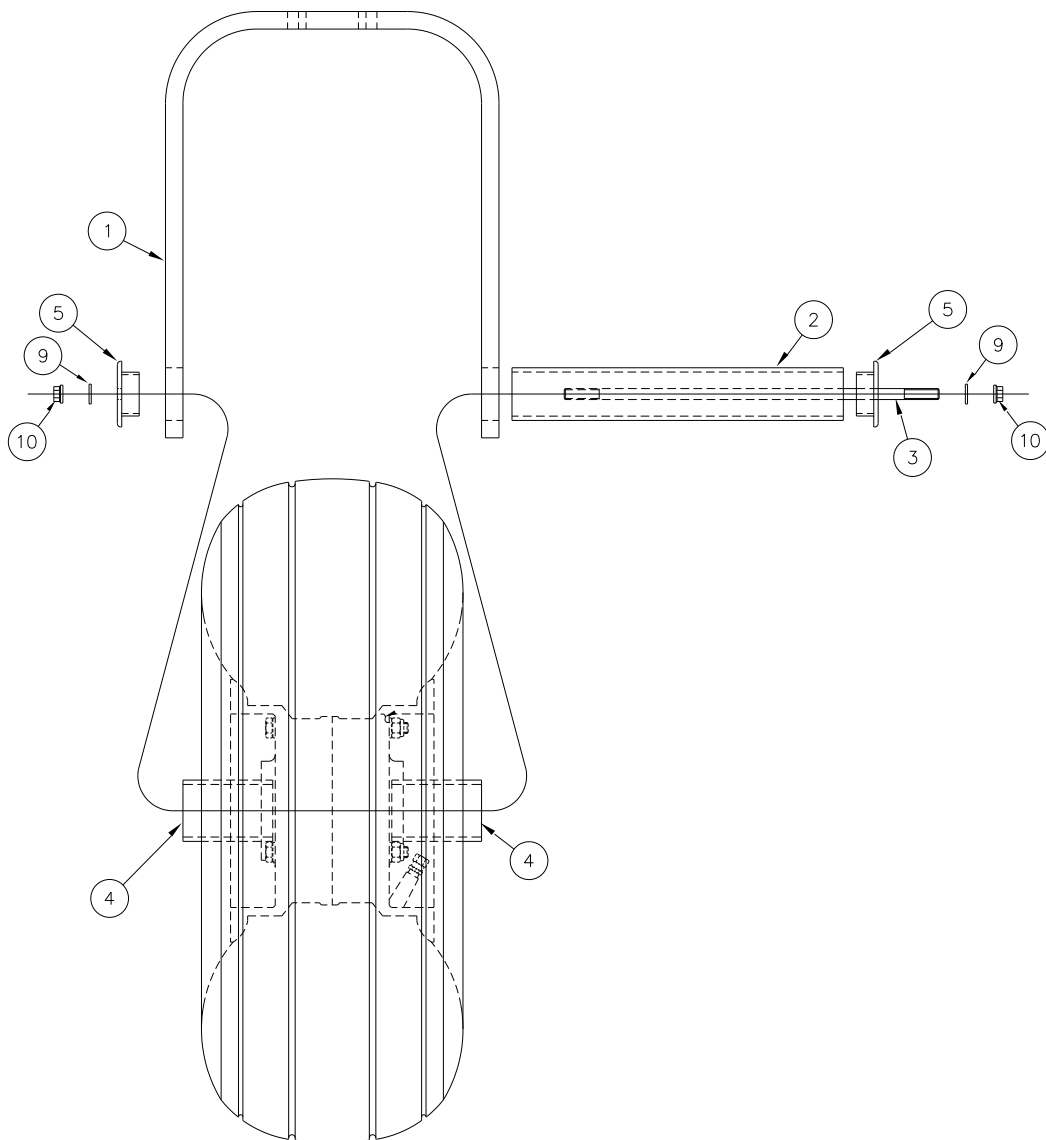


Figure 3: Exploded view of 8.00 x 6 Nose Wheel Assembly

3. Re-installation of 6.00 x 6 Nose Wheel

- 3.1 Operators who wish to revert to the original 6.00 x 6 nose wheel installation can utilise the same procedure outlined above in reverse order.

Documentation:

Update aircraft log book to reflect incorporation of the relevant aspects of this Service Bulletin.

Compliance Notice:

Complete the Document Compliance Notice and return to Gippsland Aeronautics by fax or mail.

DOCUMENT COMPLIANCE NOTICE



Document: Service Bulletin SB-GA8-2006-33

Aircraft Serial Number: GA8-_____

Service Bulletin SB-GA8-2006-33 Issue 1 has been incorporated in the above aircraft.

Date: _____

Signed

Print Name: _____

Please post or fax this compliance notice to:

Gippsland Aeronautics
Attn: Technical Services
P.O. Box 881
Morwell Victoria 3840
Australia
Fax.: +61 03 5172 1201